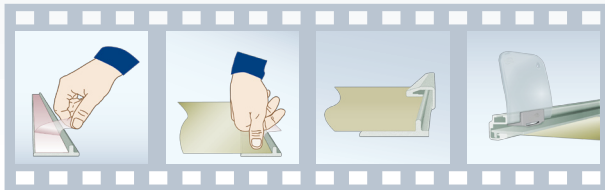
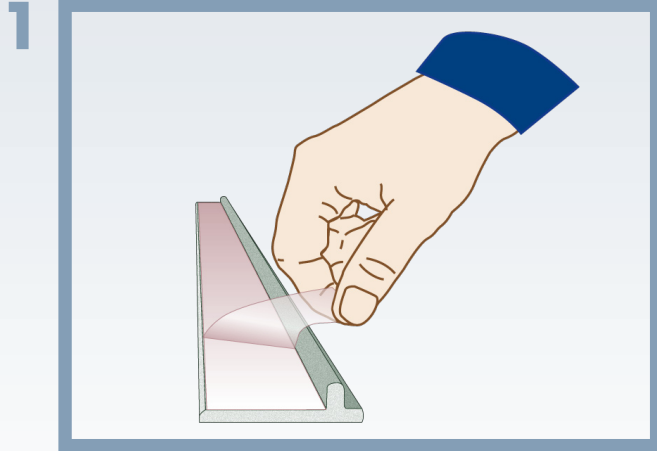


MANUAL

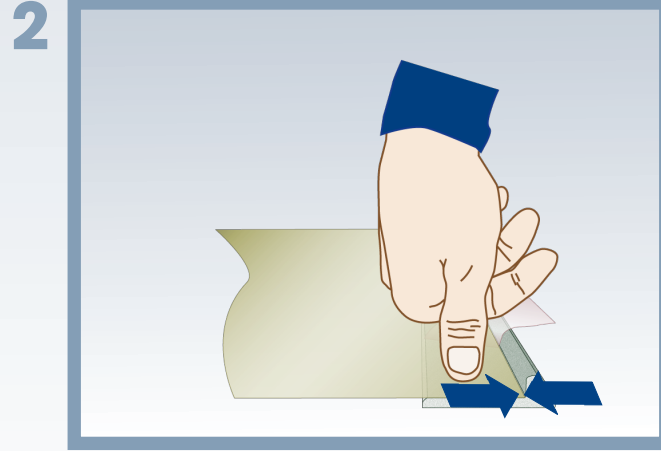
LOCKING CLIP



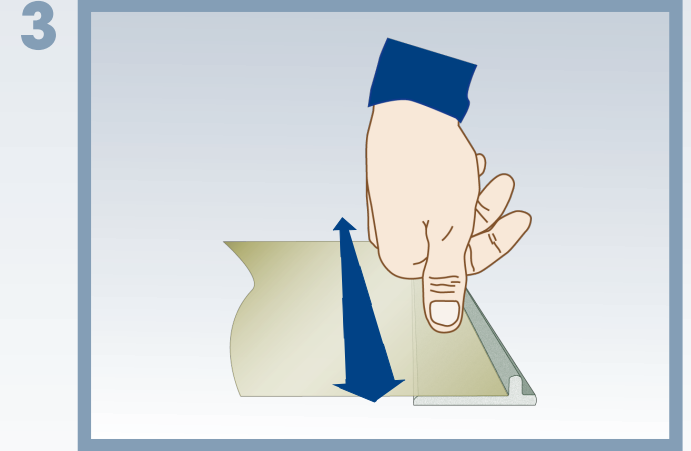
PORTABLE DISPLAYS



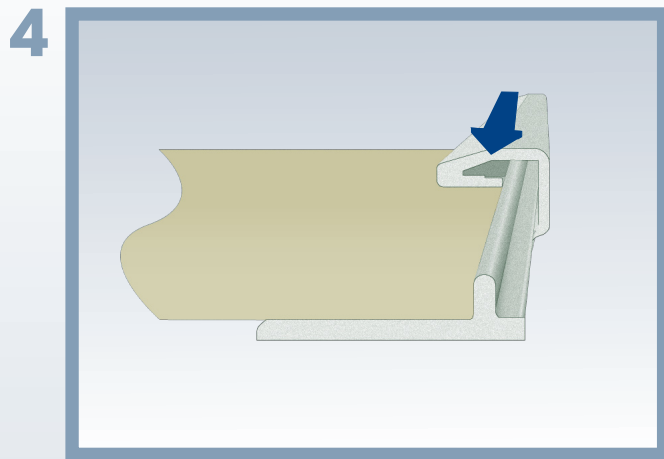
Remove a small part of the protective liner on the tape.



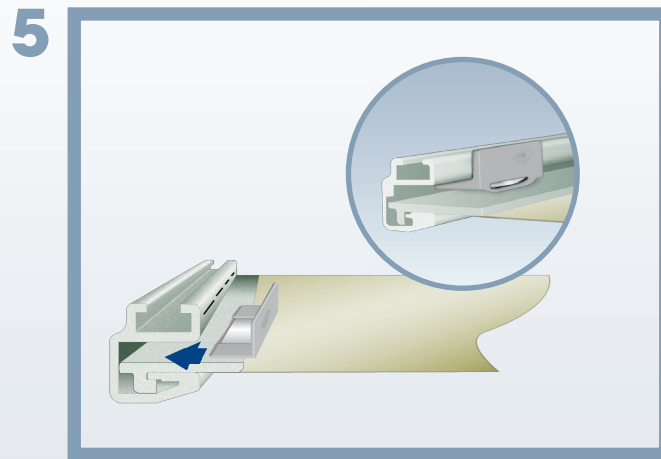
Adjust the image towards the strip and fix it to the panel strip.



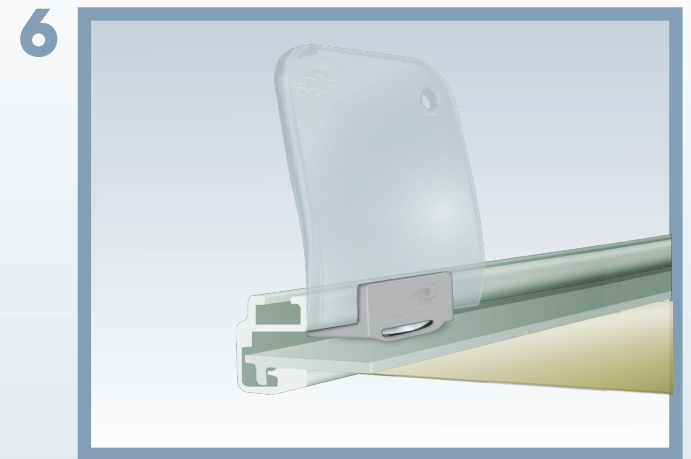
Remove the remaining part of the protective liner and press the image firmly onto the panelstrip.



Slide the top profile onto the image.



Turn the image around and push the clips into the places marked with a black line at the top profile.



Use the Expolinc tool (or similar) to remove the locking clip when changing the image.

